

Installing your own solar system





Overview

How do I install my own solar panel array?

The easiest way to install your own solar panel array is to buy a solar panel kit. The main solar components that come with every solar power system or solar panel kit are: Solar Panels Solar panels convert sunlight into electricity through a process called the photovoltaic effect.

What is a DIY solar system guide?

A DIY solar system guide that teaches you everything from basic electrical rules to sizing your solar panels.

How to install a DIY solar system?

Now that you have planned and designed your DIY solar system, it's time to install it. Here are the steps involved in installing your DIY solar system: Install the Solar Panels: Start by installing the solar panels on your roof or in your yard. Make sure that the solar panels are facing south and tilted at an angle equal to your latitude.

Can I install my own Solar System?

Once approved, you can activate your system and start generating your own solar power. Installing your own solar system can be a rewarding and cost-effective way to harness renewable energy. By following these steps and thoroughly planning your project, you can join the growing number of homeowners enjoying the benefits of DIY solar installation.

How do I install a DIY solar panel kit?

Step-by-Step Guide to Installing a DIY Solar Panel Kit Here's a simplified overview of how to install a basic do it yourself solar panel kit: Calculate your daily energy consumption in watt-hours. This helps you size the system correctly. Select a location with maximum sunlight exposure—typically a south-facing rooftop or an open field.



Can I build my own solar panels?

You can build it yourself, hire local laborers to help, or do a mix of both. Regardless of which approach you choose, our Do-It-Your-Way Solar Guide will help you learn everything you need to know about DIY solar panels, including planning, system design, set up, and more.



Installing your own solar system

[DIY Solar Panel System Installation Guide: Step by Step](#)

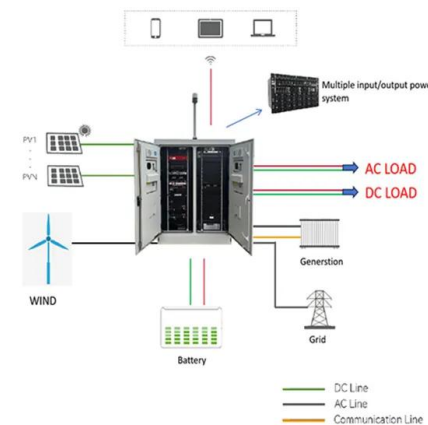


LFP 12V 200Ah

Wondering how to do your own DIY Solar Panel Installation? Click to read our step by step guide that walks you through everything you need to know. From designing your DIY solar power system to picking the components and doing ...

[Build Your Own Home Solar System That Actually](#)

Installing your own independent solar power system with battery backup can slash electricity bills by 50-90% while providing reliable emergency power during outages. Modern DIY solar installations have become ...



Applications



[Can I build my own Solar Panel System UK?](#)

Can I build my own Solar Panel System UK? - DIY Solar Nothing is impossible or so they say, but how easy it is to install your own solar PV panels depends on how handy you are. If your tool kit is a Phillip's head ...

Installing Your Own Solar 101

Discover how to install your own solar system with our comprehensive guide, covering everything from system design and permitting to sourcing materials and installation. Save money



and take control of your energy future by following ...



[Installing A Solar Energy System Yourself: Knowing ...](#)

Thinking about installing a solar energy system for your home, but you don't know where to start? If you are planning on installing a solar energy system yourself or hiring someone to install the system, then you need to know what your most ...



[How to Install Your First Solar Panel System A Step ...](#)

Installing a solar panel system is a significant step towards energy independence and a more sustainable lifestyle. While hiring a professional installer is an option, a do-it-yourself (DIY) approach can be a rewarding and ...



[How To Install Solar Panels At Home: Guide for Solar ...](#)

A solar system is a one-time investment which can reduce your electricity bills to almost zero. However, there are several technicalities about solar panel installation that must be followed to get the best results. An ...





[DIY Off Grid Solar System: A Comprehensive Guide ...](#)

Understanding the Basics of Off-Grid Solar System A DIY off-grid solar system involves gathering solar panels, batteries, charge controllers, and inverters to generate and store your own electricity independent of any ...



[DIY Solar Power System For Beginners](#)

Discover how to create your own DIY solar power system for beginners with this comprehensive guide. Learn about essential components, step-by-step installation, and tips to maximize efficiency while saving money ...

Contact Us

For catalog requests, pricing, or partnerships, please visit:
<https://solar360.co.za>